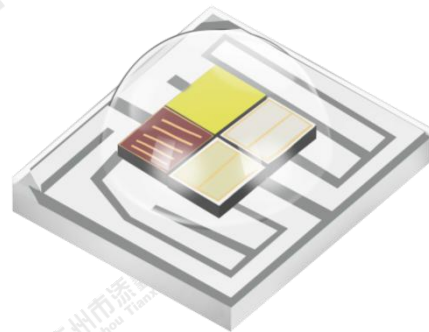


TX-3535RGBW4FC120-OGVCND34-03BH80

PRODUCT SPECIFICATION

Features:

- ◆ Excellent transiting heat from LED chip operating under 350mA
- ◆ High luminous output
- ◆ No UV



Chip Material:

- ◆ Red: AlGaInP
- ◆ Green: GaInN
- ◆ Blue: GaInN
- ◆ White: GaInN

Lens Color:

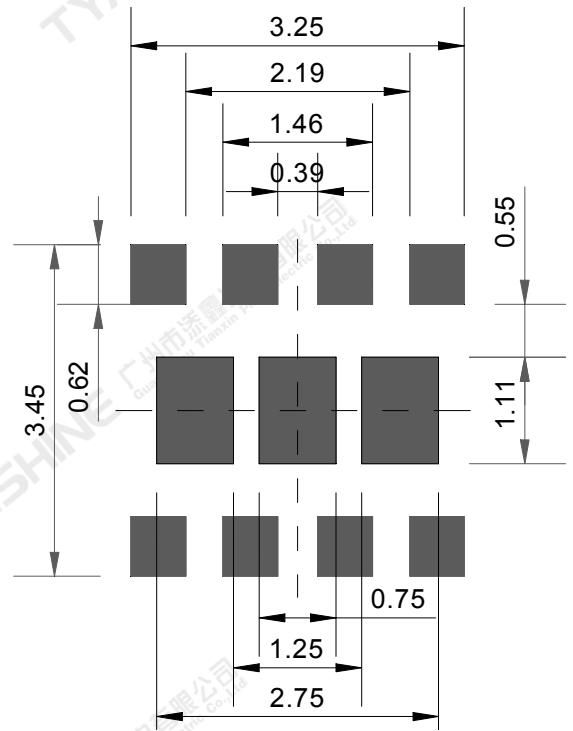
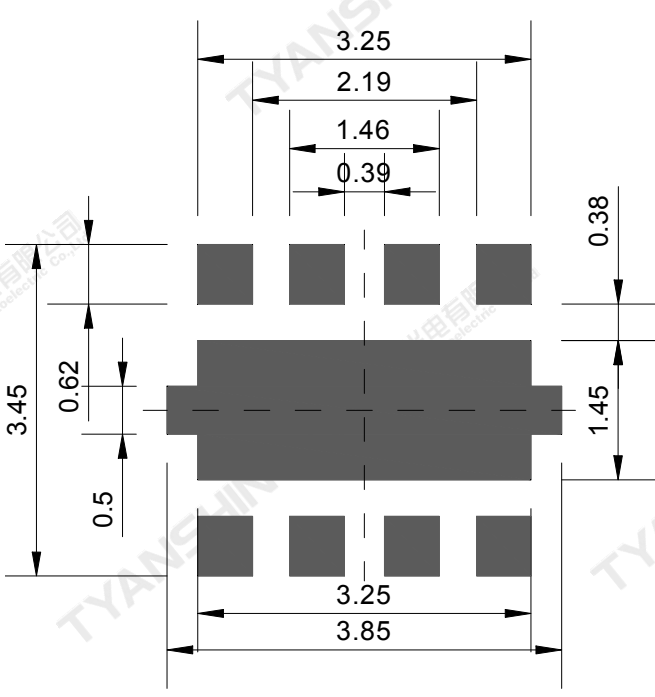
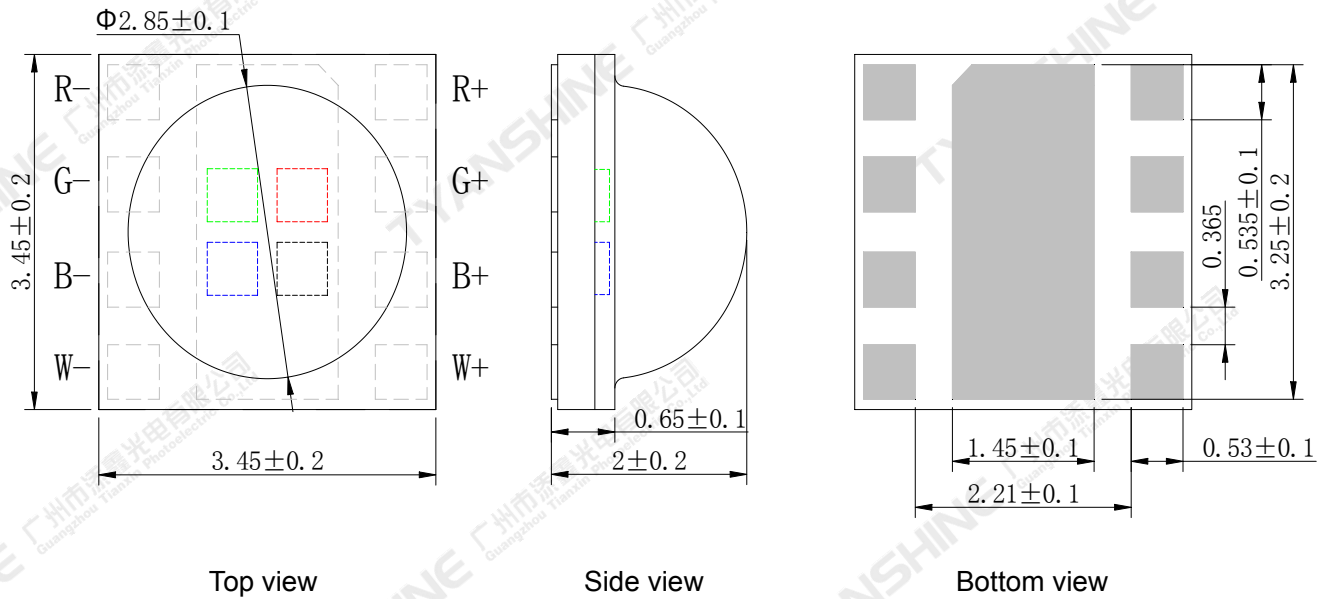
- ◆ Water clear

Applications:

- ◆ Portable flashlight
- ◆ Garden lighting
- ◆ General lighting

Part No.	TX-3535RGBW4FC120-OGVCND34-03BH80	Spec No.	WKF-BE0215	Page	1 of 10
----------	-----------------------------------	----------	------------	------	---------

Package Dimensions:



Recommended solder pad

Recommended stencil pattern

Notes:

- 1.All dimensions are in millimeters .
- 2.Tolerances unless otherwise mentioned are ± 0.1 mm .

Part No.	TX-3535RGBW4FC120-OGVCND34-03BH80	Spec No.	WKF-BE0215	Page	2 of 10
----------	-----------------------------------	----------	------------	------	---------

Absolute Maximum Ratings (Tc=25°C)

Parameter	Symbol	Max Ratings	Unit	
Forward Current	IF	350	mA	
Reverse Voltage	V _R	Not designed for reverse operation	V	
Power Dissipation	P _D	R	910	mW
		G	1190	
		B	1190	
		W	1190	
Junction Temperature	T _j	R	115	°C
		G	150	
		B	150	
		W	150	
Electrostatic Discharge Threshold (ESD)	ESD	ESD sensitive device	V	
Storage Temperature	T _{stg}	-40~70	°C	
Operation Temperature	T _{opr}	-30~100		

Notes:

- Specifications are subject to change without notice.
- The data on this specification is for reference only and the actual data is in accordance with the acknowledgment.
- Precautions for ESD:
STATIC SHIELD Electricity and surge damages the LED. It is recommended to use a wrist band or anti-electrostatic glove when handling the LED. All devices, equipment and machinery must be properly grounded.

Electrical Optical Characteristics (Tc=25°C)

Parameter	Symbol	Condition	Emitting Color	Min.	Typ.	Max.	Units
Luminous Flux	Φ_v	If=300mA	R	40	45	55	lm
			G	65	75	85	
			B	20	26	32	
			W	65	70	85	
Dominant Wavelength	λ_d		R	618	623	627	nm
			G	518	525	532	
			B	464	470	476	
Color Rendering Index	Ra		W	80	82.5	85	—
Peak-emission Wavelength	λ_p		R	624	630	632	nm
			G	513	520	525	
			B	459	465	471	
Spectral Line Half-Width	$\Delta\lambda$		R	15	17.5	20	nm
		G	30	35	40		
		B	16	19	22		
		W	17	20	23		
Forward Voltage	V_f	R	2.0	2.3	2.6	V	
		G	2.9	3.2	3.6		
		B	2.9	3.2	3.6		
		W	2.8	3.2	3.5		
Correlated Colour Temperature	CCT	—	W	3780	4000	4300	K
				4800	5150	5750	
				5300	6000	6500	
				6000	6580	7000	
Reverse Current	I_R	$V_R=5V$	R	—	—	5	μA
			G	—	—	5	
			B	—	—	5	
			W	—	—	5	
Viewing Angle at 50 % IV	$2\theta_{1/2}$	—	—	—	120	—	Deg
Thermal Resistance Junction to Case	$R\theta_{J-C}$	—	R	—	14	—	K/W
			G	—	15	—	
			B	—	15	—	
			W	—	15	—	
Temperature Coefficient of Voltage	$V\Delta F/T$	—	R	—	-2.7	—	mV/°C
			G	—	-3.9	—	
			B	—	-1.6	—	
			W	—	-1.6	—	

White Color coordinate filing (IF=300mA)

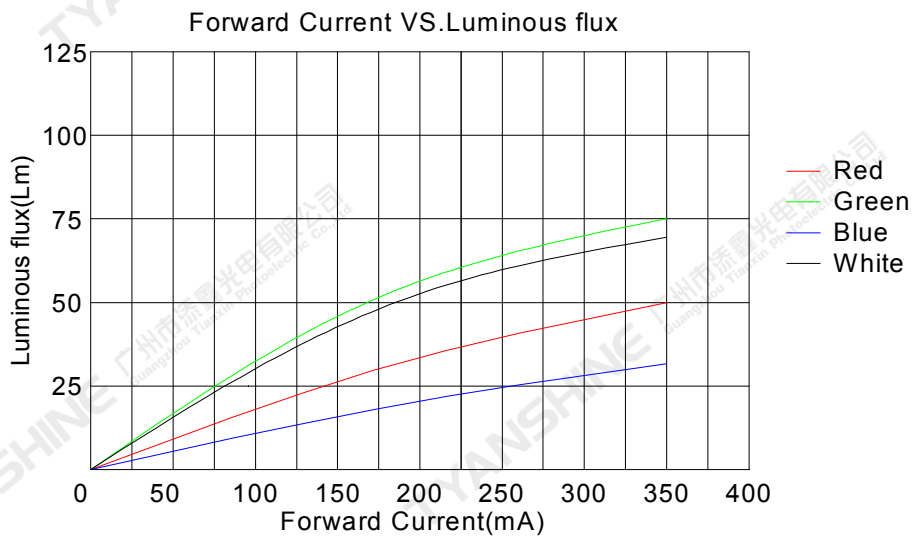
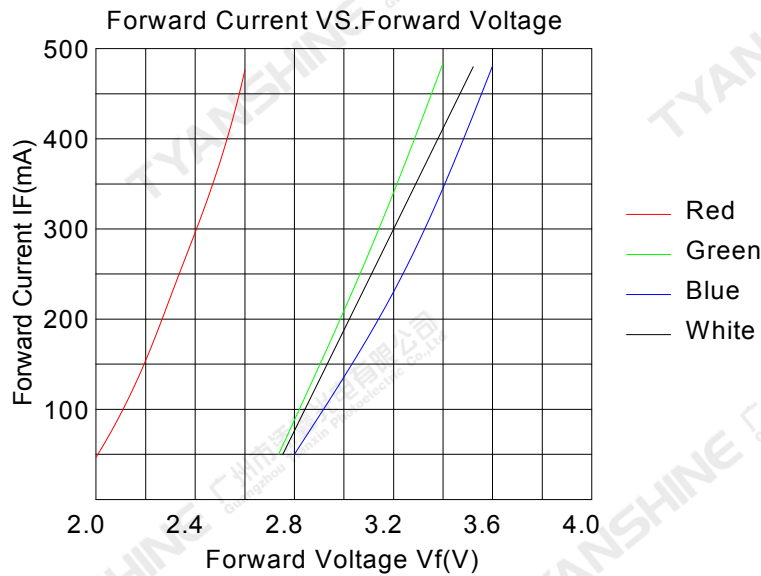
Region	CCT Range		X1	Y1	X2	Y2	X3	Y3	X4	Y4
	Min	Max								
5D2	3780K	3950K	0.3888	0.3775	0.3811	0.3725	0.3843	0.3852	0.3927	0.3902
5B4	3950K	4150K	0.3811	0.3725	0.3729	0.3676	0.3757	0.3800	0.3843	0.3851
5A2	4150K	4300K	0.3725	0.3656	0.3666	0.3619	0.3688	0.3731	0.3750	0.3769
3D	4800K	5000K	0.3504	0.3538	0.3448	0.3489	0.3458	0.3641	0.3521	0.3690
3B1	5000K	5300K	0.3458	0.3620	0.3373	0.3549	0.3375	0.3610	0.3462	0.3681
3A1			0.3446	0.3477	0.3369	0.3410	0.3373	0.3549	0.3458	0.3620
2D1	5300K	5500K	0.3369	0.3400	0.3311	0.3350	0.3311	0.3481	0.3373	0.3533
3B			0.3372	0.3530	0.3323	0.3470	0.3325	0.3604	0.3377	0.3660
2C	5500K	5800K	0.3322	0.3420	0.3257	0.3337	0.3252	0.3458	0.3324	0.3544
2A	5800K	6200K	0.3259	0.3292	0.3186	0.3212	0.3174	0.3337	0.3253	0.3428
1D	6000K	6500K	0.3220	0.3281	0.3141	0.3206	0.3127	0.3310	0.3213	0.3394
1A	6500K	7000K	0.3144	0.3186	0.3068	0.3113	0.3048	0.3207	0.3130	0.3289

Notes:

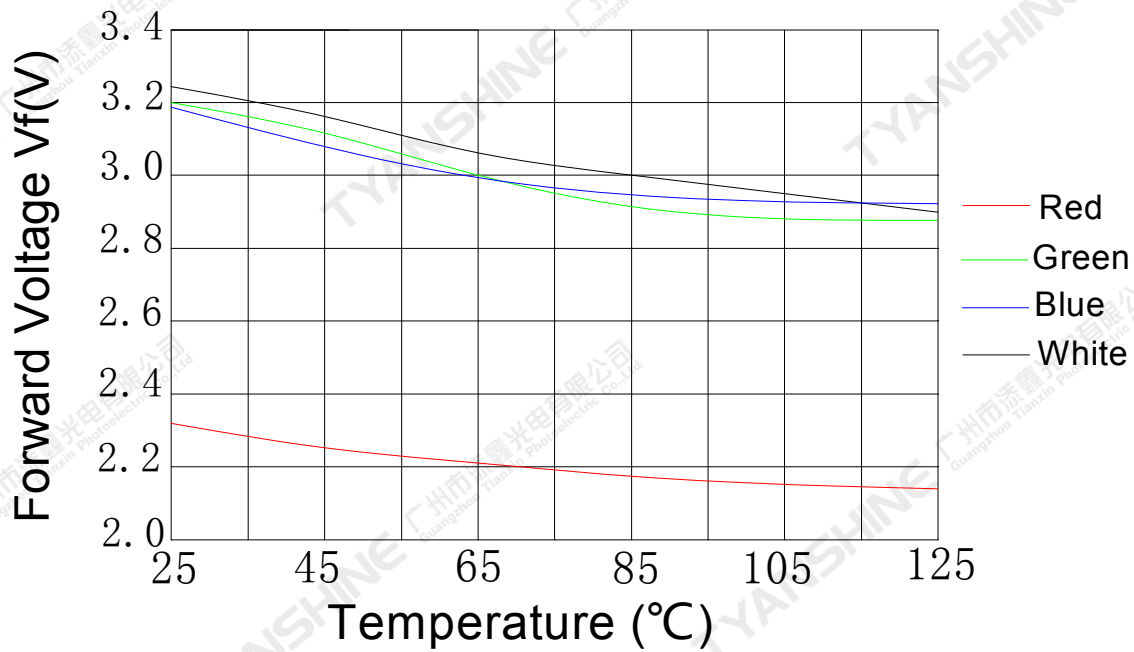
- 1.Luminous intensity is measured with a light sensor and filter combination that approximates the CIE eye-response curve.
2. $\theta_{1/2}$ is the off-axis angle at which the luminous intensity is half the axial luminous intensity.
- 3.The dominant wavelength (λ_d) is derived from the CIE chromaticity diagram and represents the single wavelength which defines the color of the device.
- 4.Luminous flux measurement tolerance:±15%.
- 5.Forward voltage measurement tolerance:±0.15V.

Typical Electrical/Optical Characteristics Curves

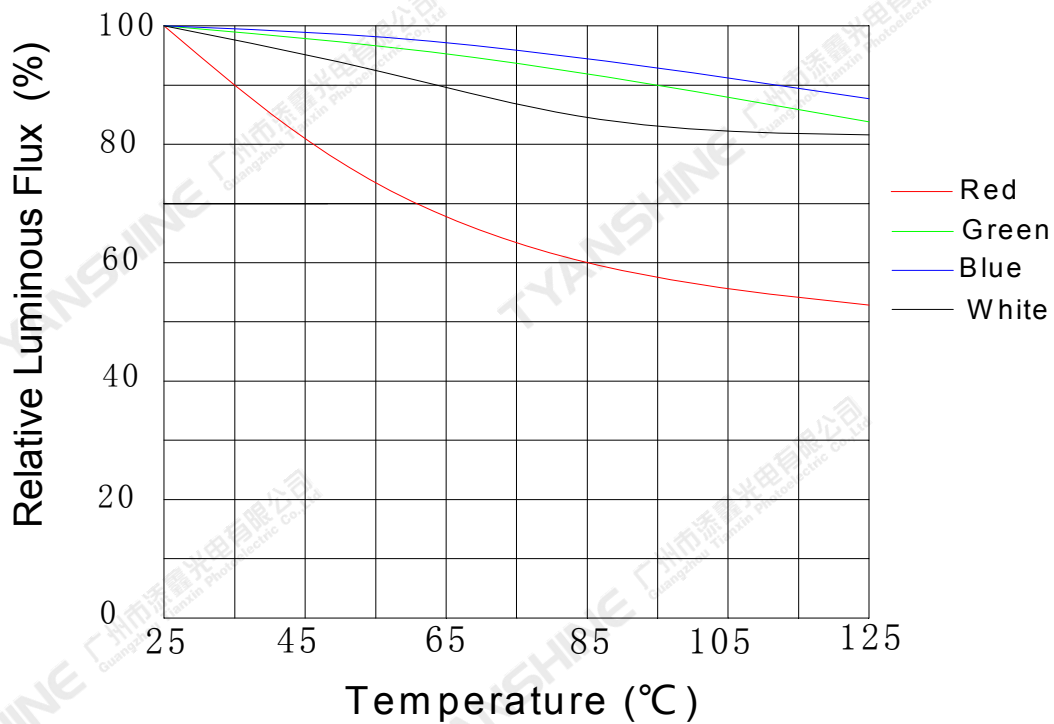
(25°C Ambient Temperature Unless Otherwise Noted)



Temperature VS. Forward Voltage (IF=300mA)

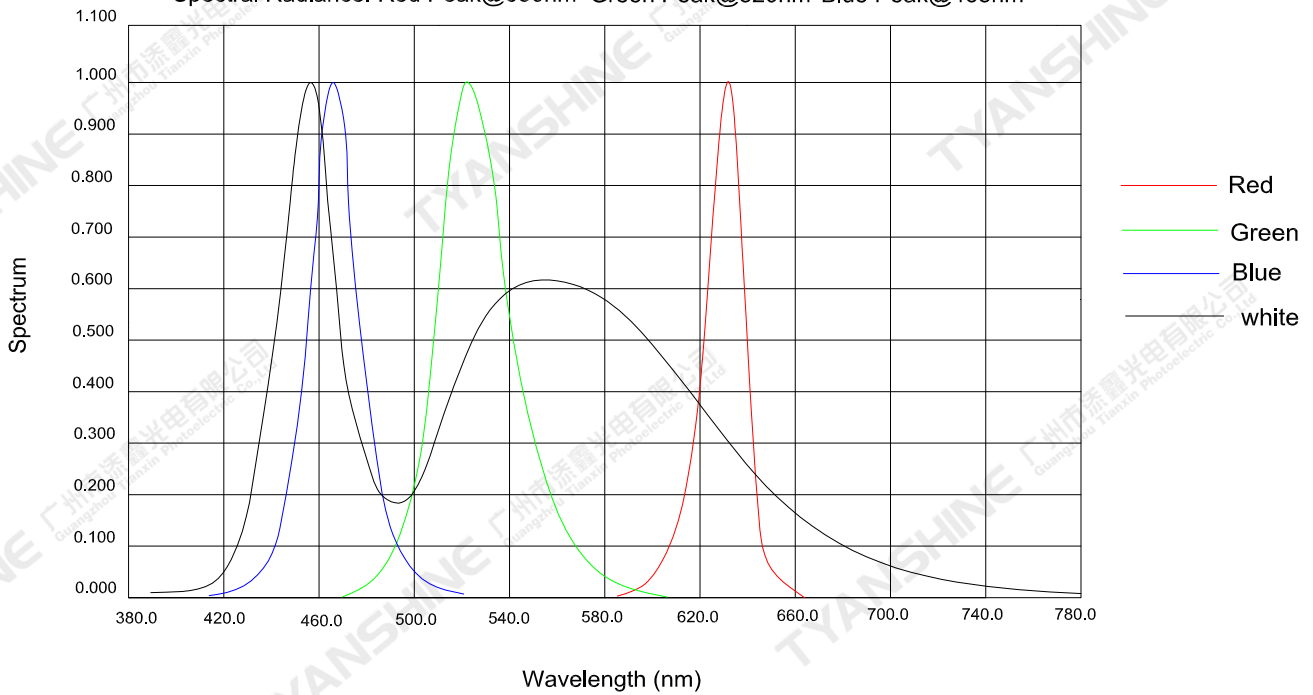


Temperature VS. Relative Luminous Flux (IF=300mA)

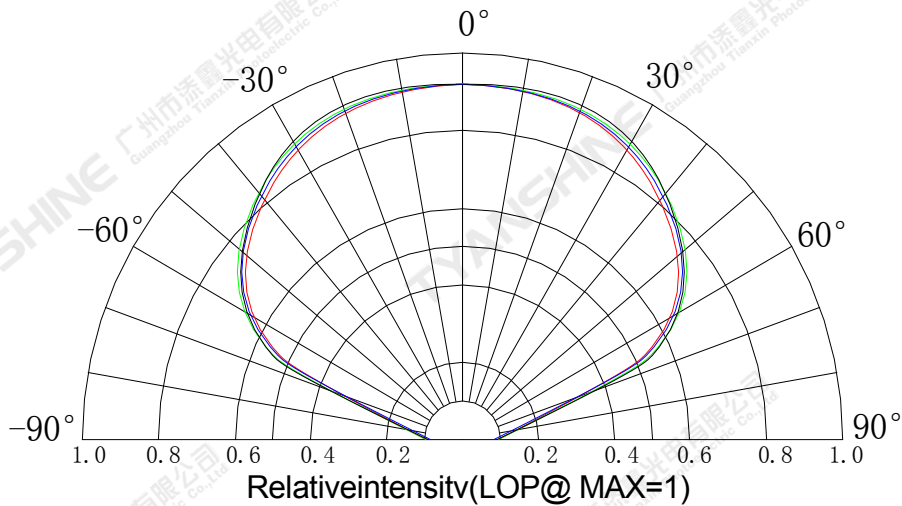


Relative Spectral Distribution

Spectral Radiance: Red Peak@630nm Green Peak@520nm Blue Peak@465nm



Beam Pattern



Notes:

1. $2\theta_{1/2}$ is the off axis angle from lamp centerline where the luminous intensity is 1/2 of the peak value.
2. View angle tolerance is $\pm 5^\circ$.

Part No.	TX-3535RGBW4FC120-OGVCND34-03BH80	Spec No.	WKF-BE0215	Page	8 of 10
----------	-----------------------------------	----------	------------	------	---------

Usage Precautions

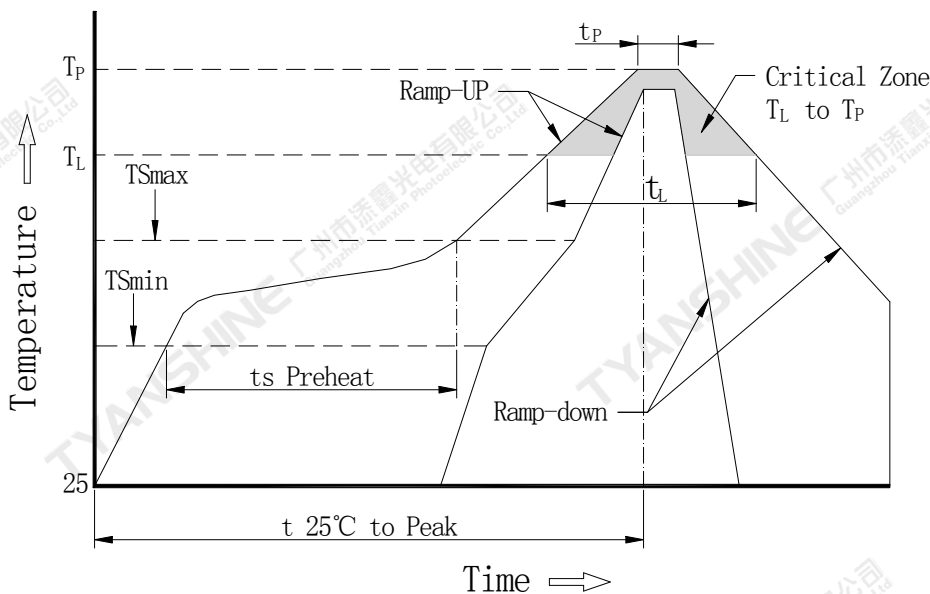
Storage Environment Condition

Temperature: 5°C ~ 30°C (41°F ~ 86°F)

Humidity: 60% RH Max.

Soldering Condition

Use the conditions shown to the under figure.



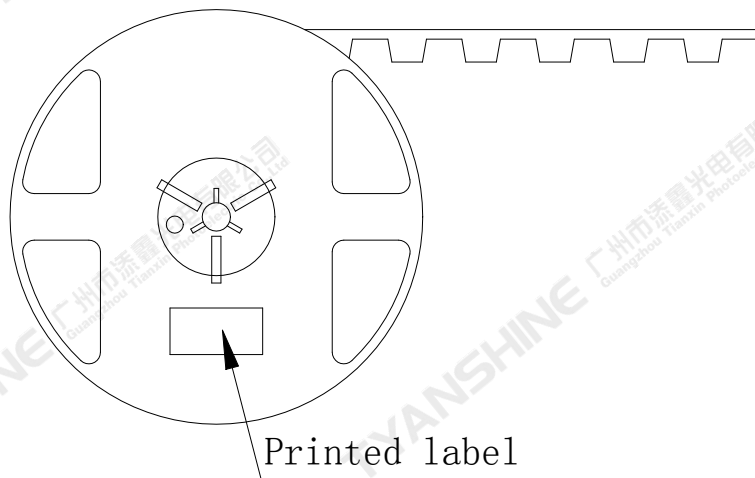
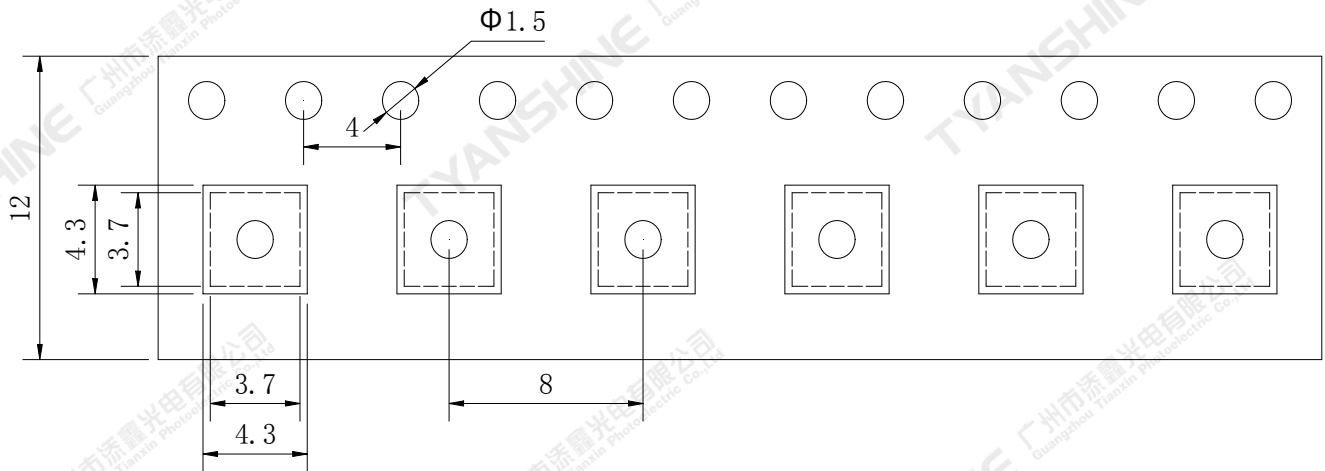
Profile Feature	Lead-Based Solder
Average Ramp-Up Rate (T_{Smax} to T_P)	3°C/second max.
Preheat: Temperature Min (T_{Smin})	100°C
Preheat: Temperature Max (T_{Smax})	150°C
Preheat: Time (T_{Smin} to T_{Smax})	60-120 seconds
Time Maintained Above: Temperature (T_L)	183°C
Time Maintained Above: Time (T_L)	60-150 seconds
Peak/Classification Temperature (T_P)	225°C
Time Within 5°C of Actual Peak Temperature (T_P)	10-30 seconds
Ramp-Down Rate	6°C/second max.
Time 25°C to Peak Temperature	6 minutes max.

Note:

All temperatures refer to topside of the package, measured on the package body surface.

Dimensions For Cannulation And Packaging

Quantity: 1000PCS



Notes:

1. All dimensions are in millimeters.
2. Tolerances are ± 2.0 mm unless otherwise noted.
3. The products are packaged together with silica gel, Transport, not to the weight of welding LED light-emitting area, As a result of the weight of LED light-emitting zone in the quality of, Irresponsible of the Company.

Part No.	TX-3535RGBW4FC120-OGVCND34-03BH80	Spec No.	WKF-BE0215	Page	10 of 10
----------	-----------------------------------	----------	------------	------	----------