

TX-5050G15VSA1-NP4AA-01

PRODUCT SPECIFICATION

Features:

- ◆ Excellent transiting heat from LED chip operating under 4.0A.
- ◆ High luminous output.
- ◆ No UV.
- ◆ Encapsulated materials are environmentally certified and meet environmental requirements.

Chip Material:

- ◆ Green: GaInN

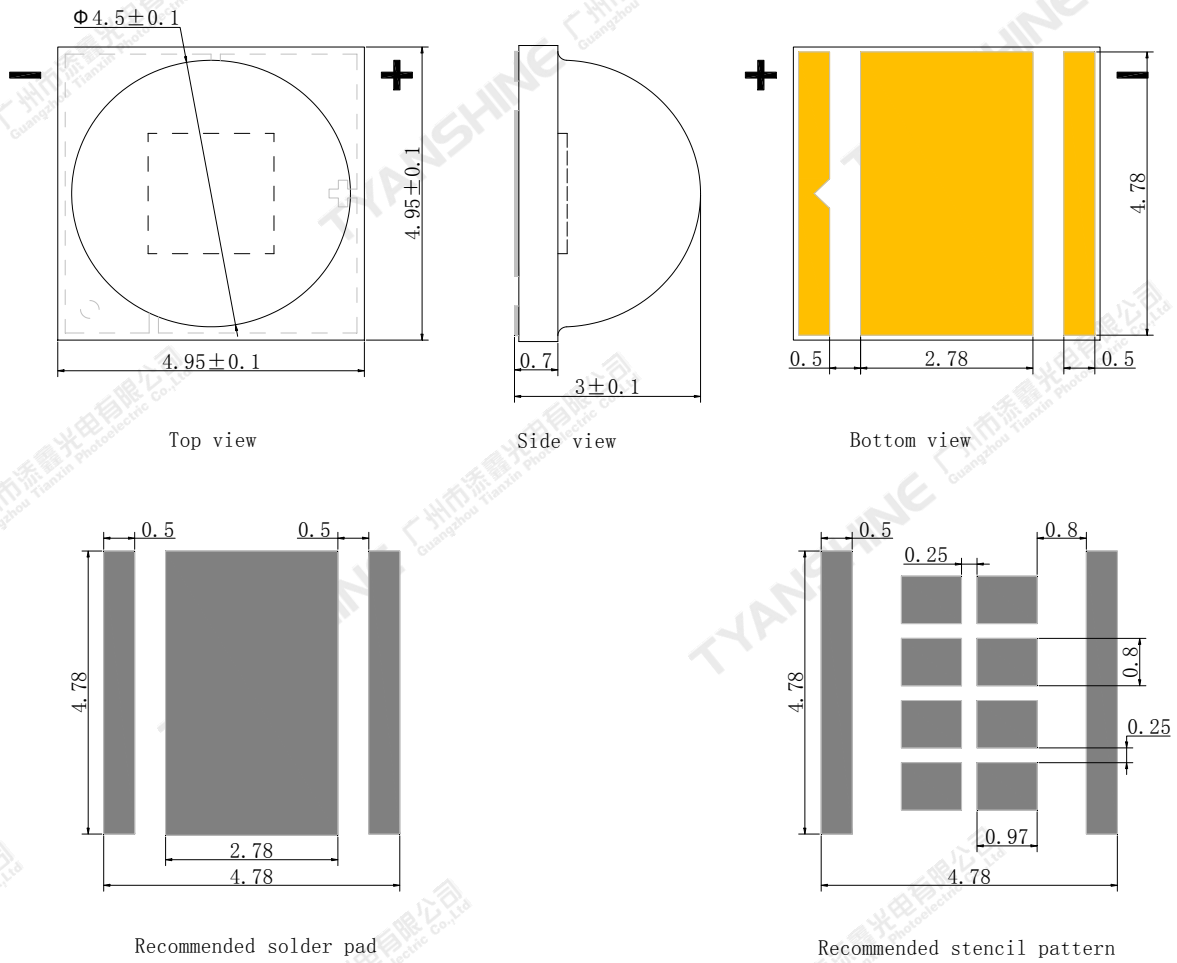
Emitting Color:

- ◆ Green

Applications:

- ◆ Auxiliary lighting
- ◆ Ambient lighting
- ◆ Architectural lighting

Package Dimensions:



Notes:

- 1.All dimensions are in millimeters .
- 2.Tolerances unless otherwise mentioned are ± 0.1 mm .

Part No.	TX-5050G15VSA1-NP4AA-01	Spec No.	WKF-EG0041	Page	2 of 8
----------	-------------------------	----------	------------	------	--------

Absolute Maximum Ratings (Tc=25°C)

Parameter	Symbol	Ratings	Unit
Forward Current	IF	4.0	A
Reverse Voltage	VR	Not designed for reverse operation	V
Power Dissipation	PD	17.6	W
Junction Temperature	Tj	150	°C
Electrostatic Discharge Threshold (ESD)	ESD	2000	V
Storage Temperature	Tstg	-40~+70	°C
Operation Temperature	Topr	-30~+85	

Notes:

- Specifications are subject to change without notice.
- The data on this specification is for reference only and the actual data is in accordance with the acknowledgment.
- Precautions for ESD:
STATIC SHIELD Electricity and surge damages the LED. It is recommended to use a wrist band or anti-electrostatic glove when handling the LED. All devices, equipment and machinery must be properly grounded.

Electrical Optical Characteristics (Tc=25°C,IF=0.7A)

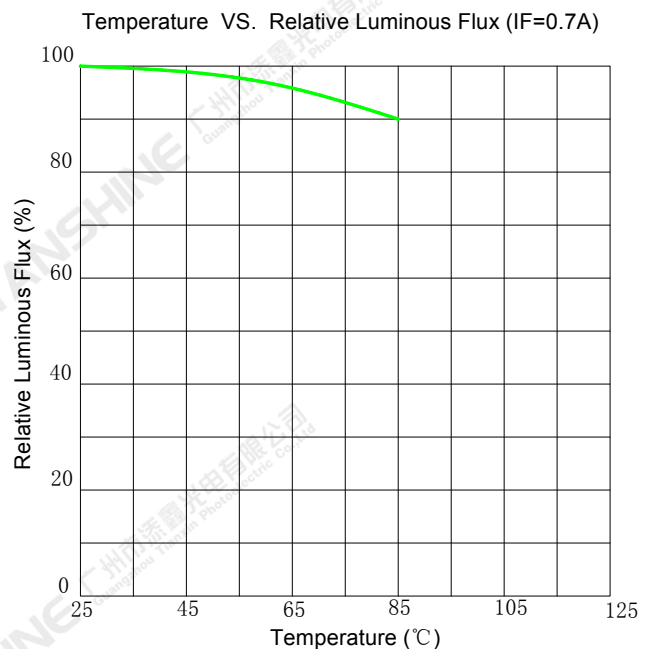
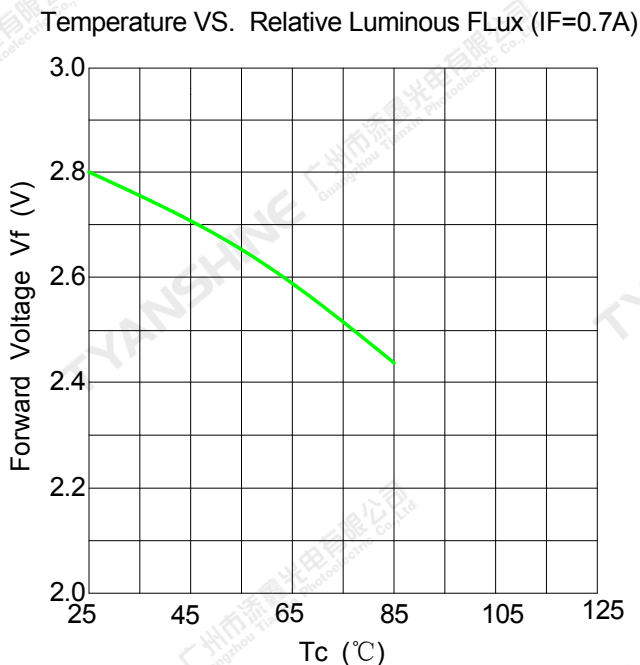
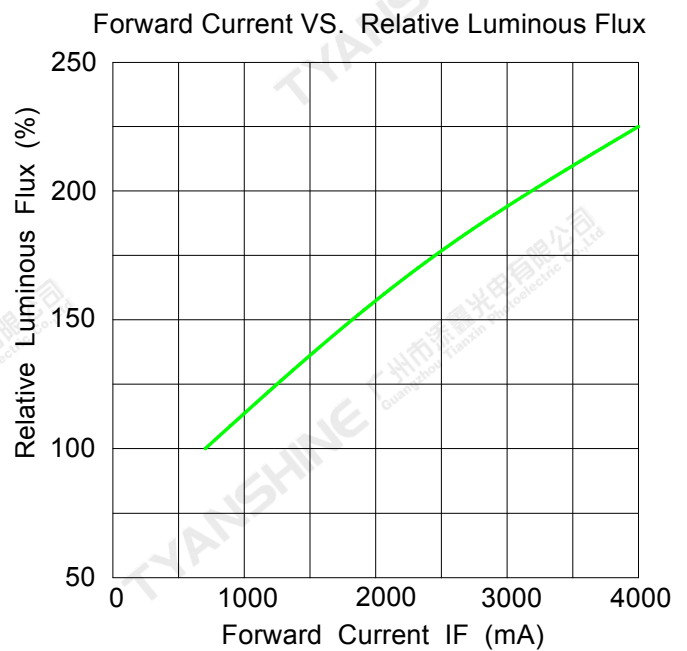
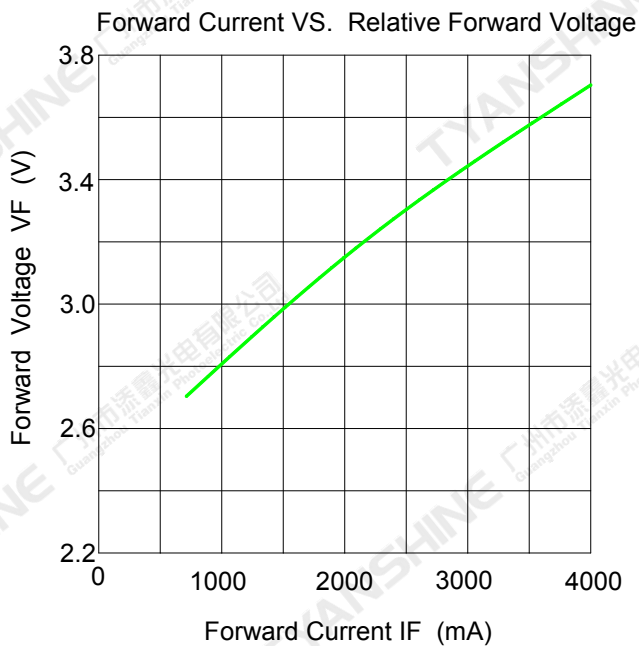
Parameter	Symbol	Emitting Color	Min.	Typ.	Max.	Units
Luminous Flux	ϕ_v	G	300	330	360	lm
Dominant Wavelength	λ_d	G	528	533	538	nm
Peak-emission Wavelength	λ_p	G	520	525	530	nm
Spectral Line Half-Width	$\Delta\lambda$	G	30	35	40	nm
Forward Voltage	V_f	G	2.6	2.7	3.0	V
Reverse Current	I_R	—	—	—	—	μA
Viewing Angle at 50% IV	$2\theta_{1/2}$	—	—	120	—	Deg
Thermal Resistance Junction to Case	$R_{\theta J-C}$	G	—	3.4	—	K/W
Temperature Coefficient of Voltage	$V\Delta F/T$	G	—	-4.3	—	mV/°C

Notes:

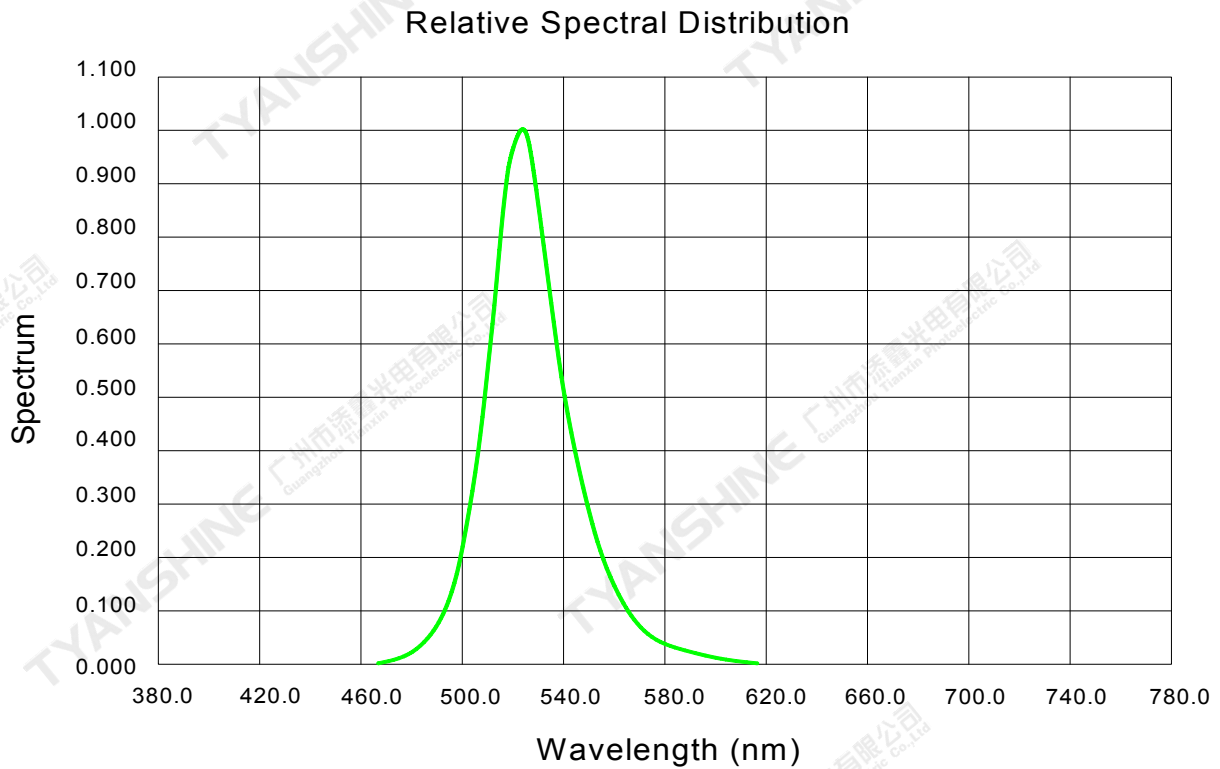
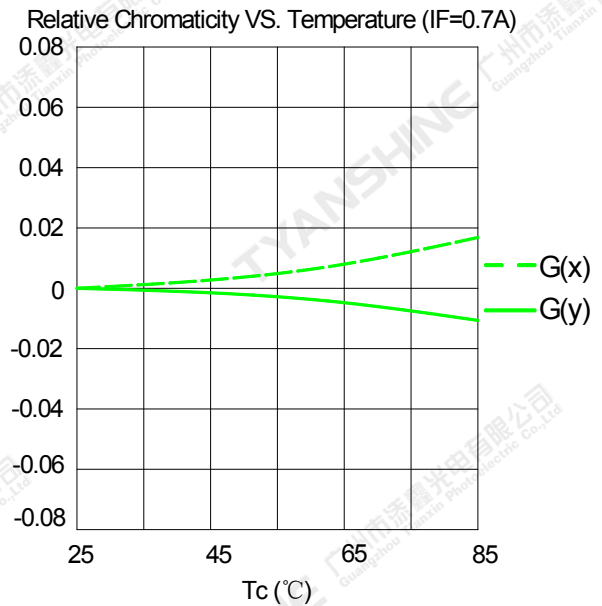
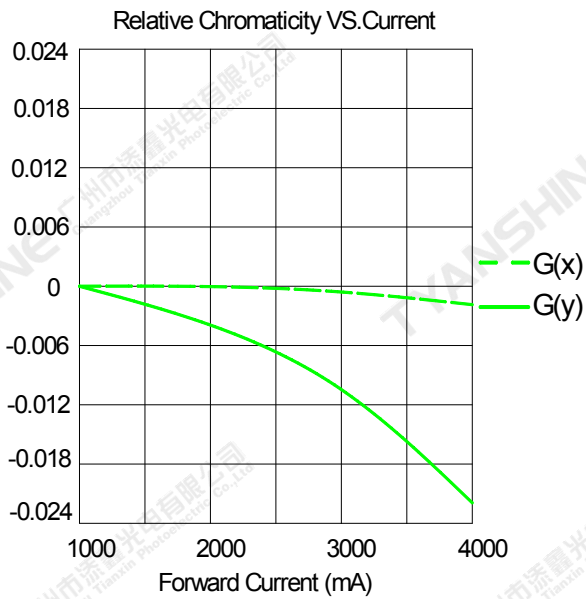
- 1.Luminous intensity is measured with a light sensor and filter combination that approximates the CIE eye-response curve.
2. $\theta_{1/2}$ is the off-axis angle at which the luminous intensity is half the axial luminous intensity.
- 3.Luminous flux measurement tolerance: $\pm 10\%$.
- 4.Forward voltage measurement tolerance: $\pm 10\%V$.
- 5.Ra measurement tolerance: ± 2 .

Typical Electrical/Optical Characteristics Curves

(25°C Ambient Temperature Unless Otherwise Noted)



Notes: ■ Green (G) ;



Notes: █ Green (G) ;

Notes:

1. $2\theta_{1/2}$ is the off axis angle from lamp centerline where the luminous intensity is 1/2 of the peak value.
2. View angle tolerance is $\pm 5^\circ$.

Part No.	TX-5050G15VSA1-NP4AA-01	Spec No.	WKF-EG0041	Page	6 of 8
----------	-------------------------	----------	------------	------	--------

Usage Precautions

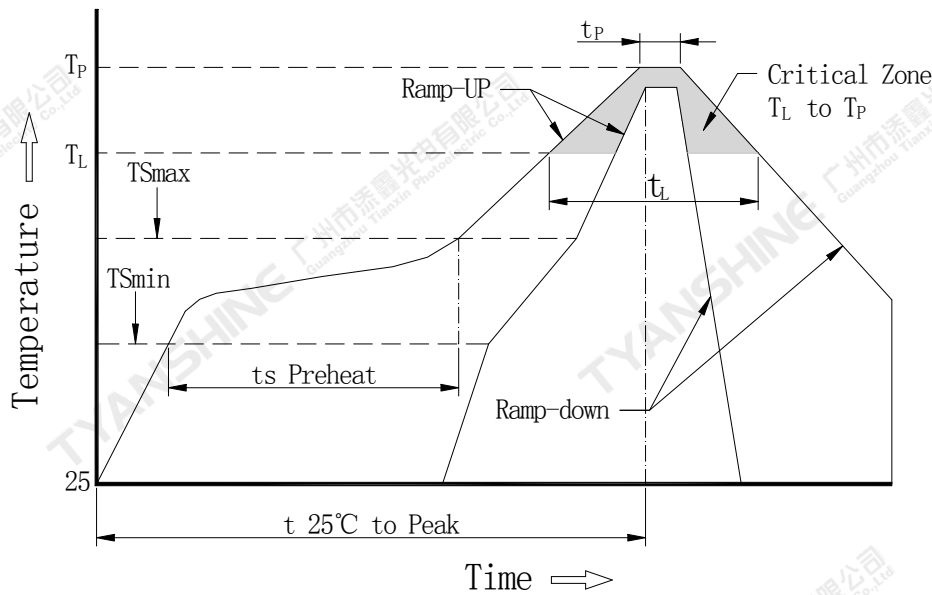
Storage Environment Condition

Temperature: 5°C ~ 30°C (41°F ~ 86°F)

Humidity: 60% RH Max.

Soldering Condition

Use the conditions shown to the under figure.



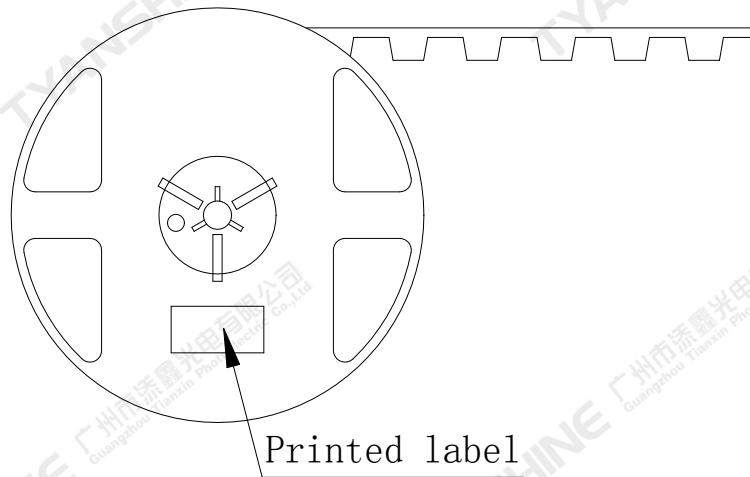
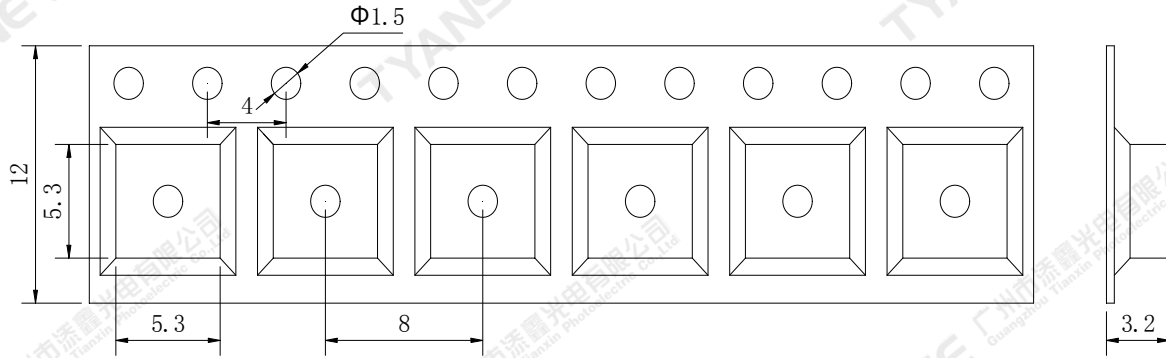
Profile Feature	Lead-Based Solder
Average Ramp-Up Rate (Tsmax to Tp)	3°C/second max.
Preheat: Temperature Min (Tsmin)	100°C
Preheat: Temperature Max (Tsmax)	150°C
Preheat: Time (Tsmin to Tsmax)	60-120 seconds
Time Maintained Above: Temperature (Tl)	183°C
Time Maintained Above: Time (Tl)	60-150 seconds
Peak/Classification Temperature (Tp)	225°C
Time Within 5°C of Actual Peak Temperature (Tp)	10-30 seconds
Ramp-Down Rate	6°C/second max.
Time 25°C to Peak Temperature	6 minutes max.

Note:

All temperatures refer to topside of the package, measured on the package body surface.

Dimensions For Cannulation And Packaging

Quantity:500PCS



Notes:

1. All dimensions are in millimeters.
2. Tolerances are ± 2.0 mm unless otherwise noted.
3. The products are packaged together with silica gel, Transport, not to the weight of welding LED light-emitting area, As a result of the weight of LED light-emitting zone in the quality of, Irresponsible of the Company.

Part No.	TX-5050G15VSA1-NP4AA-01	Spec No.	WKF-EG0041	Page	8 of 8
----------	-------------------------	----------	------------	------	--------